



DATE:

ORDER FORM Corporate Key Tag

PO Box 199, Wollongong, NSW, 2520
Tel: 02 4225 3076 Fax: 02 42253 076
E-mail: order@idzone.com.au
Website: www.idzone.com.au

ABN: 29 496 840 823

Company Details:

Company's Name: _____ Contact Name: _____

Address: _____

Phone: _____ Fax: _____ E-mail: _____

Delivery Details:

As above

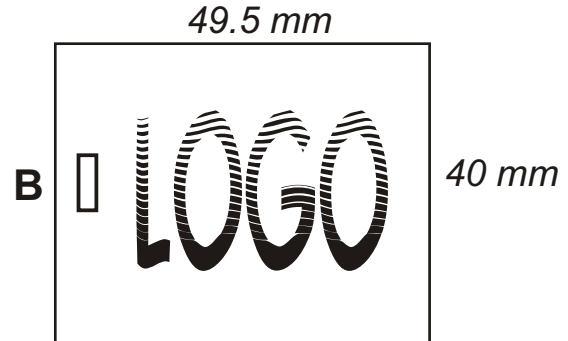
Other: _____

Would you like to be notified via email of special promotions? Yes No

Do you give permission for your badge design to be in display or publication? Yes No

Quantity:

Available Sizes:



Options:

Acrylic Doming Service (Protection and enhancement)

Acrylic Doming (Key **Size A**) \$ 1.50

Acrylic Doming (key **Size B**) \$ 2.00

Colours:

Background: White Gold Silver

Other (please specify) _____

Reverse-Side Printing:

Note: Text such as company address, phone number or special instructions can be printed on the back of your card.

- Black printing:**
 - Non-change text on reverse **Size A (\$0.50/each), Size B (\$0.70/each)**
 - Change text on reverse **Size A (\$1.00/each), Size B (\$1.50/each)**

Full colour printing:..... (Please specific)

- Non-change text on reverse **Size A (\$1.00/each), Size B (\$1.40/each)**
- Change text on reverse **Size A (\$2.00/each), Size B (\$3.00/each)**

Please Print Clearly :

Optional Freight: Within Australia & NZ

- Free** delivery with Australia Post. Please allow up to 7 business days.
All care taken but no responsibility once posted.
- Delivery by registered Post (insured) with Australia Post. Please allow up to 3 business days (\$11.00)

Optional Freight: International

- Air Freight by Australian Post (registered and insured), \$20.00

Prices per key tag are in Australian Dollars \$ (+GST)

Key Quantity	Set Up Fees	Price	
		Size A	Size B
1-25	40.00	\$ 4.00	\$ 4.50
26-50	40.00	\$ 3.50	\$ 3.75
51-100	40.00	\$ 2.50	\$ 2.75
101-250	40.00	\$ 2.20	\$ 2.50
251- 500	Free	\$ 1.50	\$ 1.80
500-1000	Free	\$1.30	\$1.60
1000 +	Free	\$1.10	\$1.40

The price above Includes

- Key Tab and Key Ring
- Protection overlay (not acrylic doming)

Please send the form back to:

E-mail: order@idzone.com.au
 Fax: **02 4225 3076**
 Mail: **ID Zone, PO Box 199,**
Wollongong, NSW, 2520

For the logo:

E-mail: graphic@idzone.com.au
 Mail: **ID Zone, PO Box 199,**
Wollongong, NSW, 2520